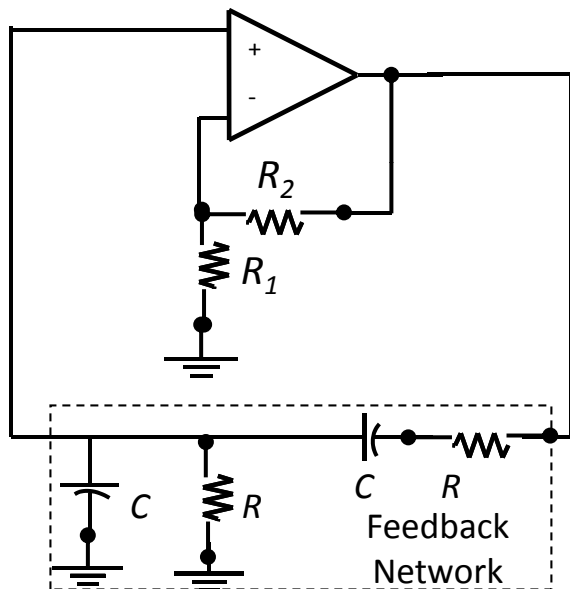


Wein Bridge Lab



- You are to build a Wein Bridge Oscillator.
- Design the circuit to yield of frequency of oscillation of $\sim 340\text{Hz}$.
- Choose values all resistors from your kit. Once you calculate its value, the capacitors will be supplied.
- Build the circuit in 3 stages:
 1. First, build the amplifier and show that it attains the proper value of gain. Use a potentiometer to vary the gain.
 2. Build the feedback network and show that its transfer function meet the needs of the circuit.
 3. Connect the feedback network to the amplifier and show the following cases:
 - a) Gain is too low
 - b) Gain is adequate
 - c) Gain is too high